

Vertical Pluggable PCB Terminal Blocks

The MRT3V01 is a vertical pluggable terminal block, which provides for screw access on the top of the connector and wire entry on the side. They are available in 2 to 24 positions and in a wide range of pin spacings. The MRT3V01 provides wire entry to the connector opposite the molded-in slots for keying which should be considered with the pin header to be used on the printed circuit board. The MRT3V01 pluggable terminal block has a UL rating of 12 amps, 300 volts and a wire range of 12 to 30 AWG.

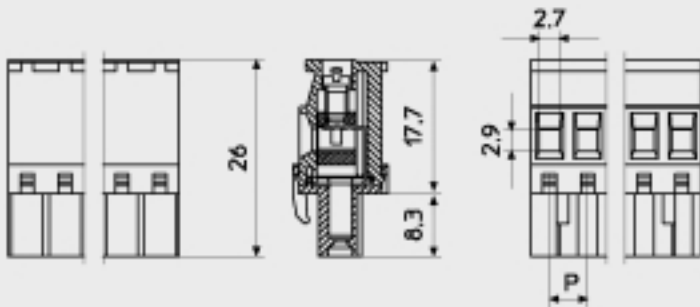
SPECIFICATIONS

Housing Material:	PA68 Polyamide, Flammable UL94V0
Housing Color:	Green
Screw:	Zinc Plated Steel
Clamp:	Nickel Plated Brass
Pin:	Tin Plated Brass
Testing torque:	4.4 in/lb
Wire range:	12-30 AWG
Nominal current:	12 A
Voltage:	300 V
Temperature Range:	-30° C to 85° C



MRT3 P...V01

Catalog #	No. of Positions	Length (mm)
MRT3P7.62-2V01VE	2	13.24
MRT3P7.62-3V01VE	3	20.86
MRT3P7.62-4V01VE	4	28.48
MRT3P7.62-5V01VE	5	36.10
MRT3P7.62-6V01VE	6	43.72
MRT3P7.62-7V01VE	7	51.34
MRT3P7.62-8V01VE	8	58.96
MRT3P7.62-9V01VE	9	66.58
MRT3P7.62-10V01VE	10	74.20
MRT3P7.62-11V01VE	11	81.82
MRT3P7.62-12V01VE	12	89.44



P	L mm
5	5 x p
5.08	5.08 x p
7.62	7.62 x p -2
10	10 x p -5
10.16	10.16 x p -5.08

